

REFERENCE GUIDE

# QED CLUB STICKERS

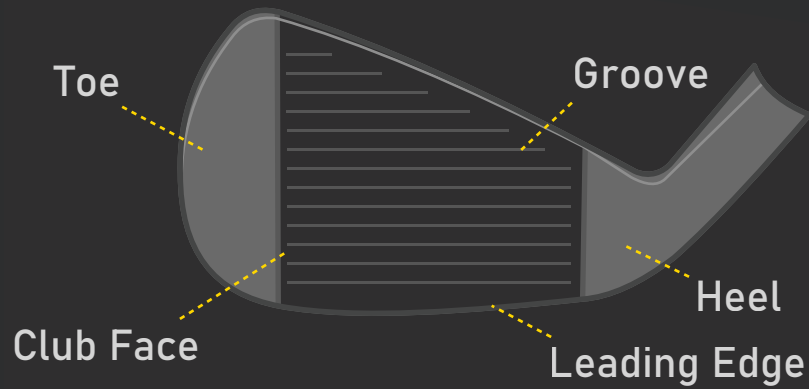
**IMPORTANT:** Read Before Using.



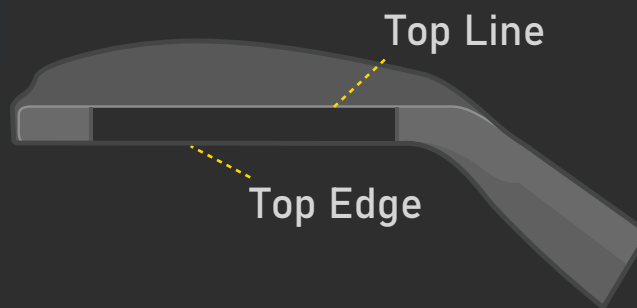
UNEEKOR

# QED IGNITE

## Club and Sticker Placement



Top View



Stickers provided by Uneekor



20 stickers per page x 20 pages total

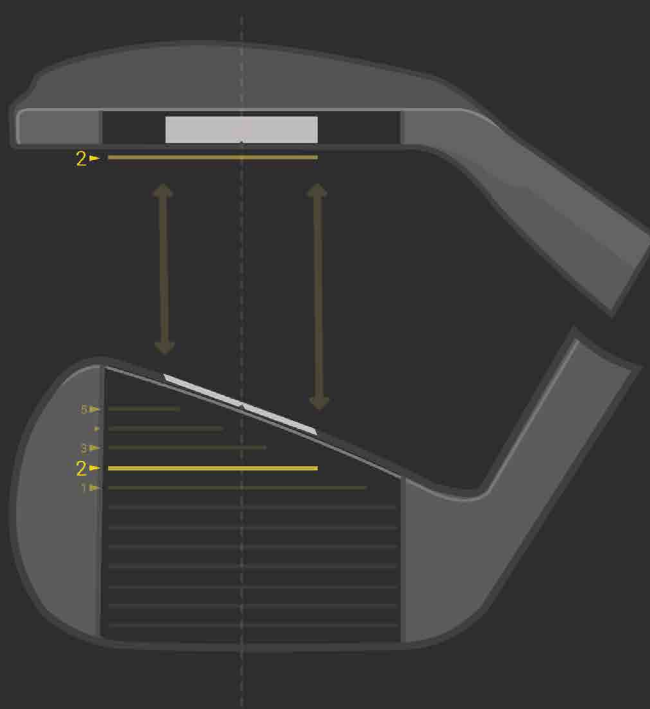
# QED IGNITE

## Club Data

Club Speed	The speed of the club before impact.
Smash Factor	The amount of energy transferred from the club head to the golf ball.
Face to Path	The angle difference between Face Angle and Club Path.
Club Path	The in to out or out to in movement of the club head's geometric center at the time of impact. Club Path is the direction (right or left) the club head is moving at impact and is measured relative to the target line.
Face Angle	The direction (right or left) the club face is pointed at impact. It is measured relative to the target line.

## Sticker Placement

### Irons & 5 Groove

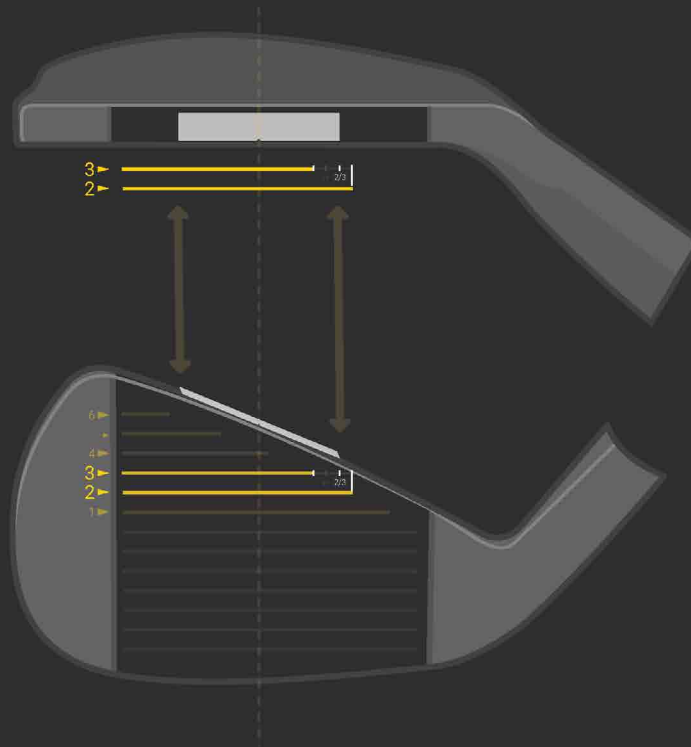


1. The area where the sticker is applied differs. Depending on the number of grooves where the length of the groove starts to reduce.
2. If there are five grooves of different sizes on the club face, attach the sticker to the top section based on the second longest groove.
3. In this diagram, the sticker should be close to the Top Edge lined up with groove number "2." Make sure the pointed cut is closest to the face of the club

# QED IGNITE

## Sticker Placement

2 Irons & 6 Groove



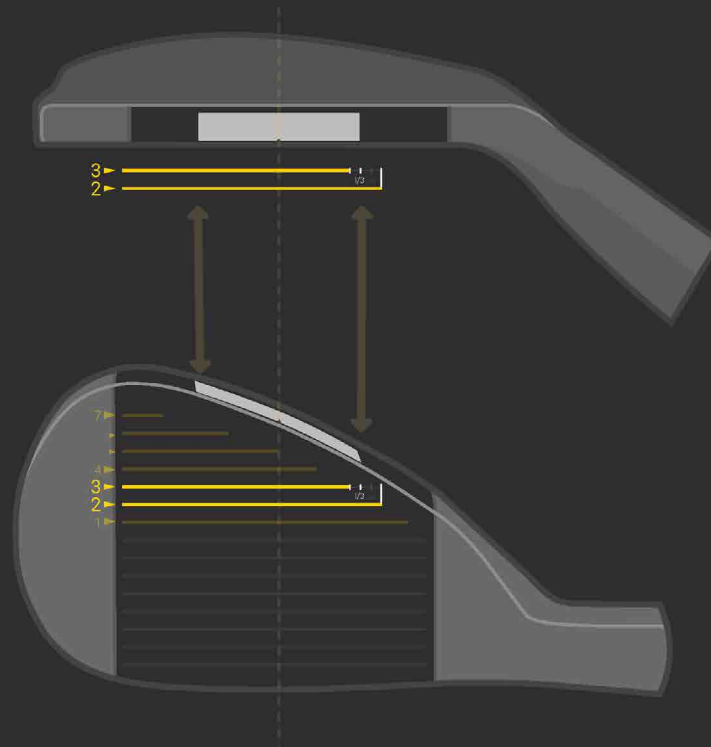
1. The area where the sticker is applied differs. Depending on the number of grooves where the length of the groove starts to reduce.
2. If there are 6 grooves of different sizes on the club face, attach it to the top section based on the 2/3rd difference on the 3rd groove of the shortening grooves.
3. In this diagram, the sticker should be close to the Top Edge lined up with the 2/3rd difference between groove "2" and "3." Make sure the pointed cut is closest to the face of the club.



# QED IGNITE

## Sticker Placement

Irons & 7 Groove

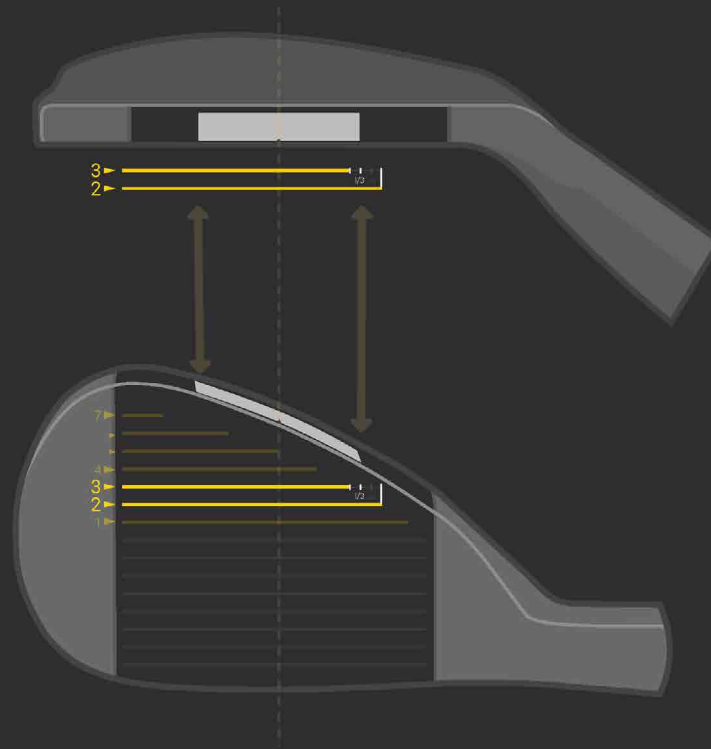


1. The area where the sticker is applied differs. Depending on the number of grooves where the length of the groove starts to reduce.
2. If there are 7 grooves of different sizes on the club face, attach it to the top section based on the 1/3rd difference on the 3rd groove of the shortening grooves
3. In this diagram, the sticker should be close to the Top Edge lined up with the 1/3rd difference between groove "2" and "3." Make sure the pointed cut is closest to the face of the club

# QED IGNITE

## Sticker Placement

2 Irons & 8 Groove

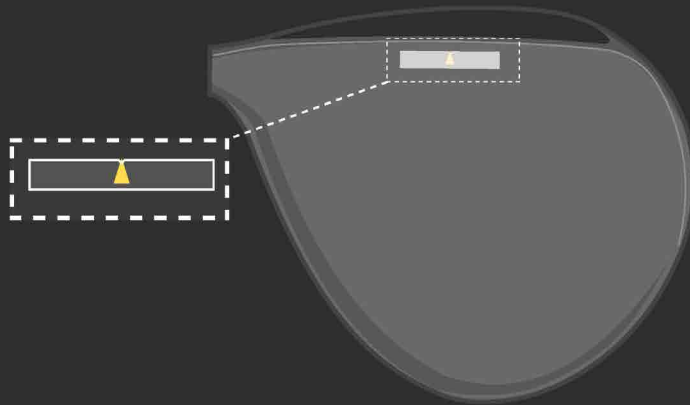


1. The area where the sticker is applied differs. Depending on the number of grooves where the length of the groove starts to reduce.
2. If there are 8 grooves of different sizes on the club face, attach it to the top section based on the 3rd groove of the shortening grooves
3. In this diagram, the sticker should be close to the Top Edge lined up with groove number "3"  
Make sure the pointed cut is closest to the face of the club

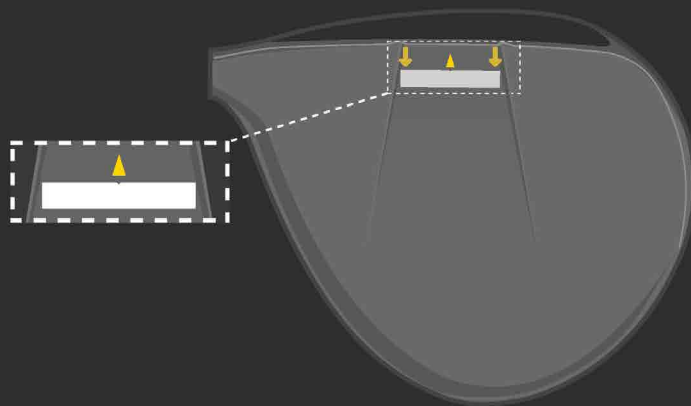
# QED IGNITE

## Sticker Placement

Driver, Hybrid, & Wood



1. The tip of the arrow in the crown area must be attached to the slit of the sticker.
2. The sticker should be attached horizontally to the top edge.
3. This method is preferred for all drivers, hybrids, and woods.

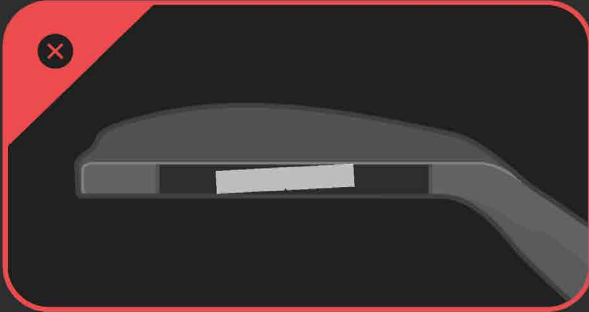


1. If the crown area is not a smooth surface, attach the sticker a little further back.
2. The sticker should be attached horizontally to the top edge.
3. This method is preferred if you cannot achieve the sticker placement on the left.

Note: For clubs without this arrow mark, the sticker must be attached at the top of the crown and point on the face

# QED IGNITE

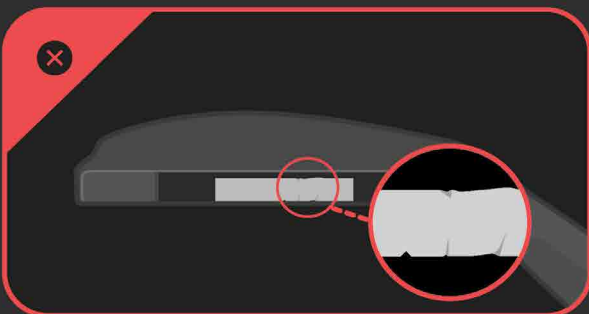
## Incorrect Sticker Placement and Error



The sticker can not be crooked/slanted on the Top Edge.



The sticker can not be too high on the Top Edge. It must be centered.



The sticker can not be crumpled or damaged.

Note: If you do not avoid the incorrect sticker placements, you may not get the correct club data.



# POWER FOR EVERY GOLFER

Uneekor, Inc.

26249 Enterprise Court  
Lake Forest, CA 92630

Tel: 1-949-328-7790

[sales@uneekor.com](mailto:sales@uneekor.com)

[support@uneekor.com](mailto:support@uneekor.com)